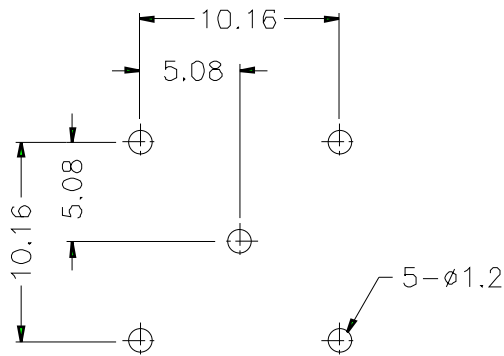
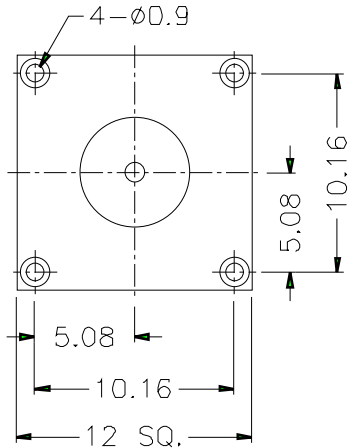
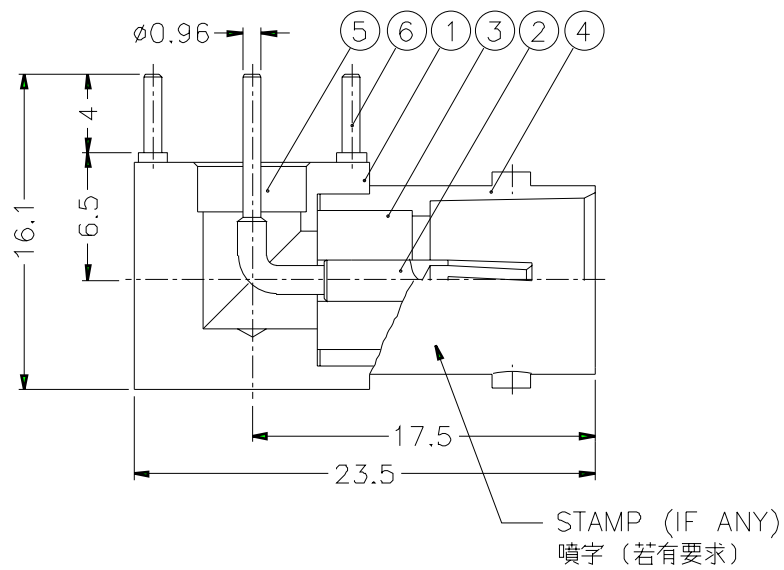


REVISIONS		
ISS	ZONE	DESCRIPTION\PER REQUEST\DATE



PCB MOUNTING HOLE
(印刷電路板架設孔)



- NOTES: FINISH (PLATING THICKNESS IN MICRO-INCHES)
- BRASS PER QQ-B-626
 - NICKEL PL. 100 MIN. THICK OVER COPPER STRIKE
 - BERYLLIUM COPPER PER QQ-C-530
 - GOLD PL. 30 MIN. THICK OVER NICKEL PL. 100 MIN. THICK OVER COPPER STRIKE
 - TEFLON MIL-P-19468
 - BRIGHT TIN PL. 100 MIN. THICK OVER NICKEL PL. 50 MIN. THICK OVER COPPER PL. 100 MIN. THICK

DIMENSIONS ARE IN MILLIMETERS						PART NO.				<h2 style="text-align: center;">Amphenol - Kai Jack</h2> <p style="text-align: center;">TAINAN TAIWAN</p>	
UNLESS OTHERWISE SPECIFIED TOLERANCES						APPROVED		DATE			
6	PIN	NOTE 1	NOTE 6	4	T6251F1-001-5	0.5-6 = ±0.2		05-09-02'		BNC R/A PCB MOUNT JACK	
5	INSULATOR	NOTE 5	NATURAL	1	B6252P1-001-6-1	6-30 = ±0.4		05-09-02'			
4	BODY	NOTE 1	NOTE 2	1	BD01ACPO3A	30-120 = ±0.6		05-09-02'		DRAWING NO.	
3	INSULATOR	NOTE 5	NATURAL	1	NS00AAE99A	120-315 = ±1		05-09-02'		KJ-B625200-021-N/TT30G-75	
2	CONTACT PIN	NOTE 3	NOTE 4	1	CP01ALL01A	315-1000 = ±1.6		05-09-02'			
1	HOUSING	NOTE 1	NOTE 2	1	B625200-003-1	1000-2000 = ±2.4		05-09-02'		ITEM NO.	
NO.	DESCRIPTION	MATERIAL	FINISH	Q'TY	DRAWING NO.	SCALE	2.5/1	ISSUE	A1	FILE NO.	F:\DWG\B\625200\021\75\NNT30G